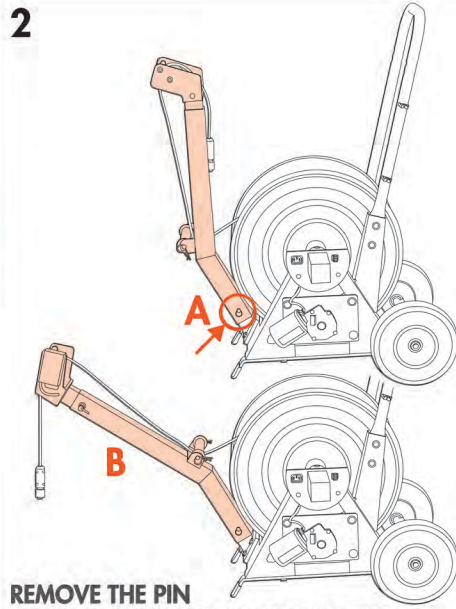


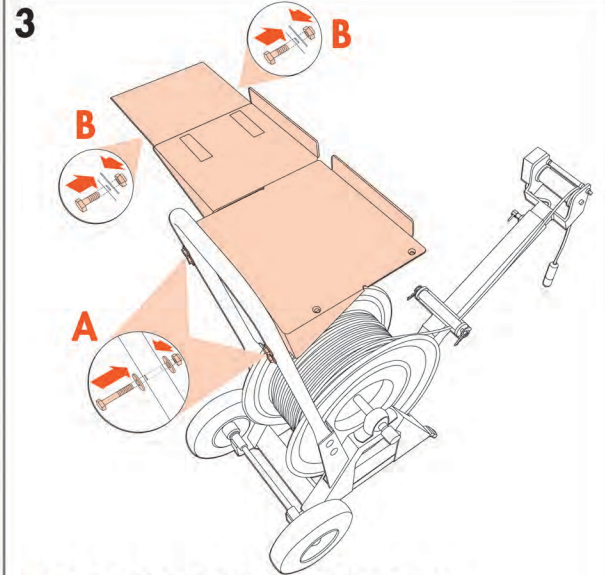
1

A: INSERT FUSE.
B: INSERT POWER CABLE AND RECHARGE THE BATTERY FOR 24 HOURS BEFORE USE.



2

REMOVE THE PIN MARKED **A** AND ROTATE THE BOOM ARM AS SHOWN IN **B**.



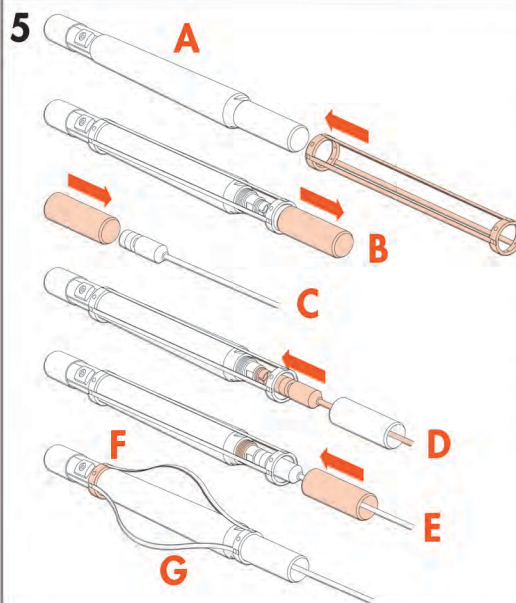
3

A: MOUNT THE MOUNTING PLATE TO THE STRATACAM™ FRAME.
B: MOUNT THE LAPTOP PLATE TO THE MOUNTING PLATE.



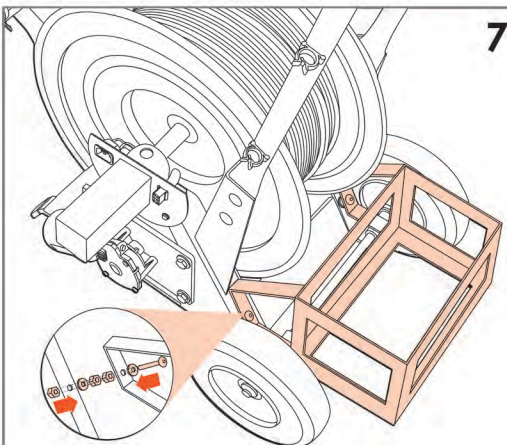
4

A: PLACE THE LAPTOP ON THE LAPTOP PLATE
B: PLACE THE CONTROL BOX ON TO THE MOUNTING PLATE.



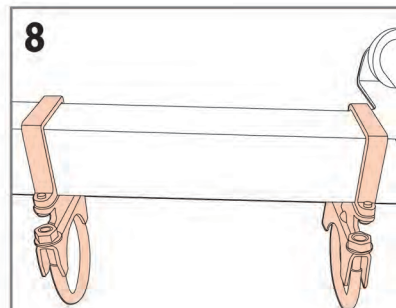
5

A: SLIDE THE CAMERA CENTRALIZER ON TO THE CAMERA.
B: UNSCREW THE CAMERA SHEATH.
C: LOCATE THE CONNECTION END AT THE END OF THE BOOM ARM ON THE STRATACAM™ AND PASS THROUGH THE CAMERA SHEATH.
D: CONNECT THE CONNECTION END TO THE CAMERA.
E: SLIDE THE CAMERA SHEATH DOWN TO THE CAMERA AND SCREW INTO CAMERA.
F: SCREW THE FRONT RING OF THE CAMERA CENTRALIZER TO THE CAMERA.
G: ADJUST THE CAMERA CENTRALIZER TO APPROXIMATELY HALF AN INCH LESS THAN THE DIAMETER OF THE DRILL HOLE TO BE INSPECTED. SCREW THE CAMERA CENTRALIZER INTO POSITION.



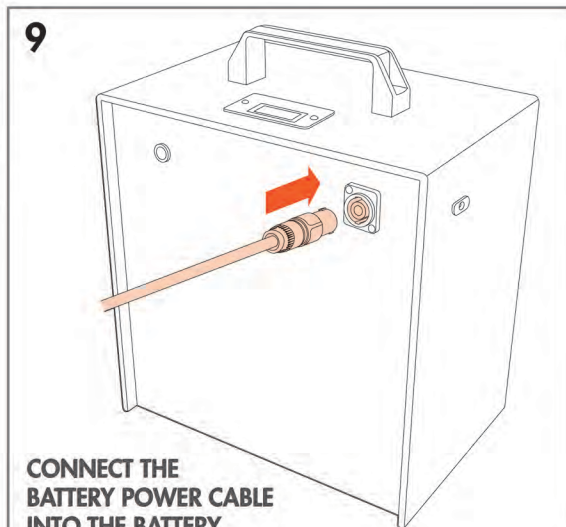
7

MOUNT THE BATTERY MOUNT ON TO THE STRATACAM™ FRAME AND PLACE THE BATTERY INSIDE.



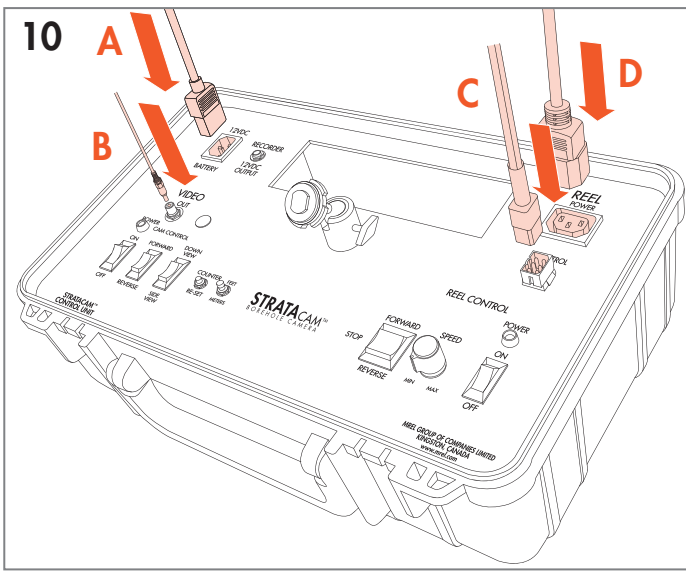
8

MOUNT THE CAMERA HANGERS TO THE STRATACAM™ BOOM ARM.



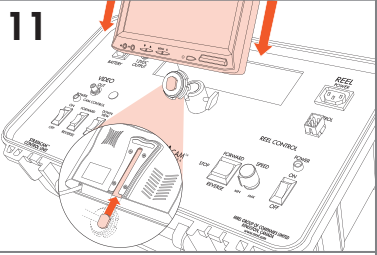
9

CONNECT THE BATTERY POWER CABLE INTO THE BATTERY.



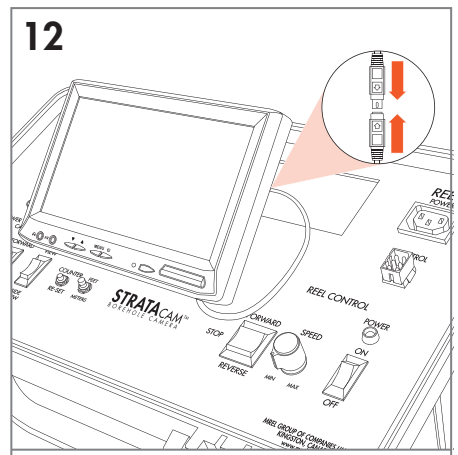
10

A: CONNECT THE POWER CABLE FROM THE BATTERY INTO THE CONTROL BOX.
B: CONNECT THE VIDEO OUT CABLE CONNECTED TO BOX INSIDE THE LID.
C: CONNECT THE REEL CONTROL CABLE.
D: CONNECT REEL POWER CABLE.



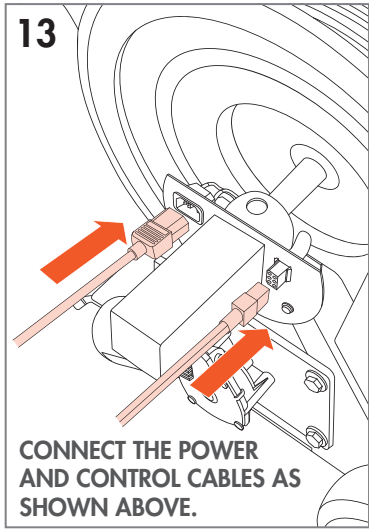
11

MOUNT THE LCD MONITOR .



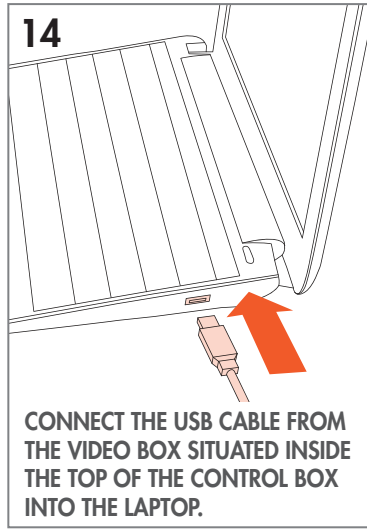
12

CONNECT THE CABLE IN THE STORAGE COMPARTMENT TO THE LCD MONITOR. YOU CAN ALSO MOUNT THE LCD HOOD TO THE MONITOR IF YOU WISH.



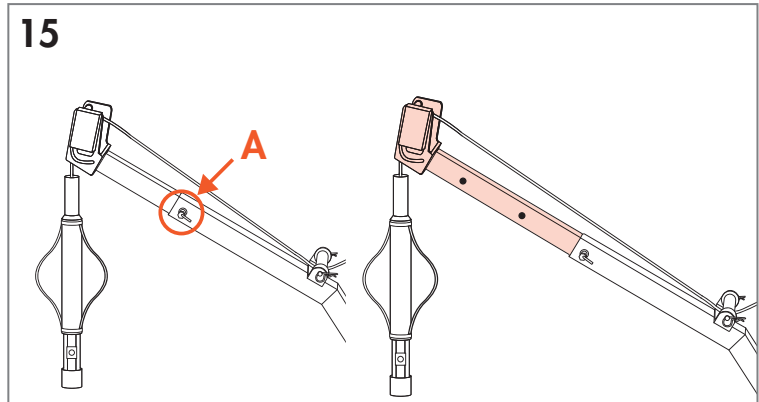
13

CONNECT THE POWER AND CONTROL CABLES AS SHOWN ABOVE.



14

CONNECT THE USB CABLE FROM THE VIDEO BOX SITUATED INSIDE THE TOP OF THE CONTROL BOX INTO THE LAPTOP.



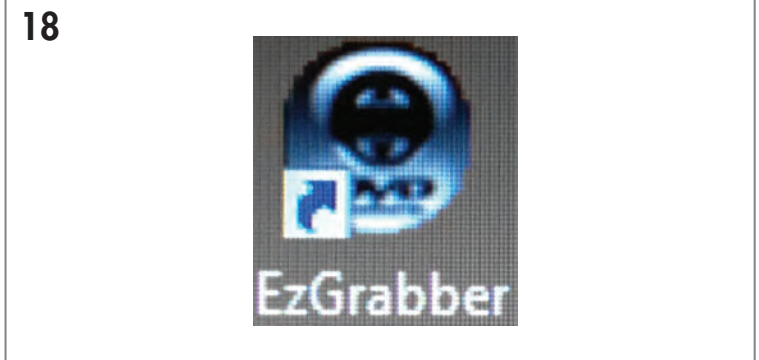
15

REMOVING THE PIN MARKED **A**, ADJUST THE LENGTH OF THE BOOM ARM TO THE DESIRED LENGTH AND REINSERT THE PIN.



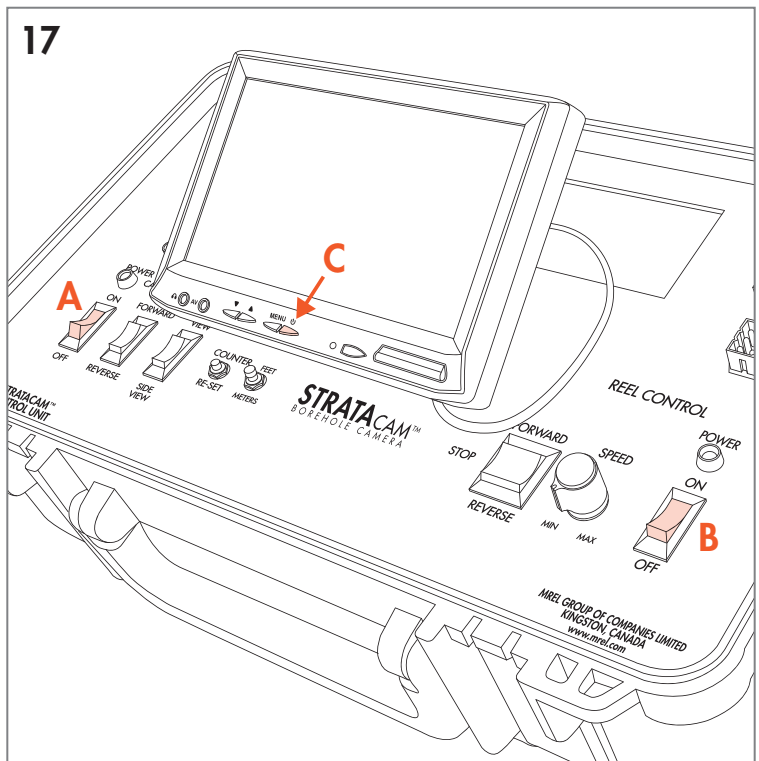
16

POSITION THE STRATACAM™ OVER THE BOREHOLE YOU WISH TO INSPECT.



18

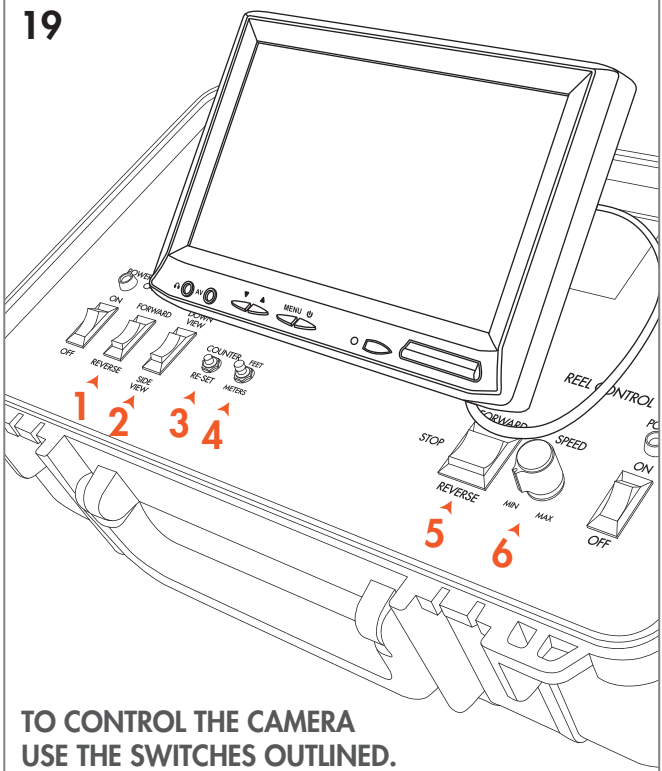
POWER ON THE LAPTOP. WHEN THE LAPTOP HAS COMPLETED LOADING INTO WINDOWS, DOUBLE CLICK THE ICON ABOVE WHICH IS LOCATED ON THE DESKTOP OF THE LAPTOP.



17

A: TURN ON THE CAM CONTROL POWER.
B: TURN ON THE REEL CONTROL POWER.
C: TURN ON THE LCD MONITOR POWER.

19



TO CONTROL THE CAMERA USE THE SWITCHES OUTLINED.

- 1:** CAMERA ROTATION. THIS SWITCH ROTATES THE CAMERA HEAD.
- 2:** CAMERA VIEW SELECTOR. THIS SWITCH SWITCHES BETWEEN THE BOTTOM VIEW CAMERA AND SIDE VIEW CAMERA.
- 3:** COUNTER RESET. THIS BUTTON RESETS THE DEPTH COUNTER SHOWN ON THE LCD MONITOR
- 4:** FEET AND METERS SWITCH. THIS SWITCH CHANGES THE DEPTH COUNTER BETWEEN FEET AND METERS.
- 5:** REEL ASSEMBLY MOTOR DRIVE. THIS TOGGLE SWITCH MOVES THE CAMERA UP AND DOWN.
- 6:** SPEED DIAL. THIS DIAL CHANGES THE SPEED AT WHICH THE CAMERA WILL MOVE WHEN YOU PRESS 5.

20

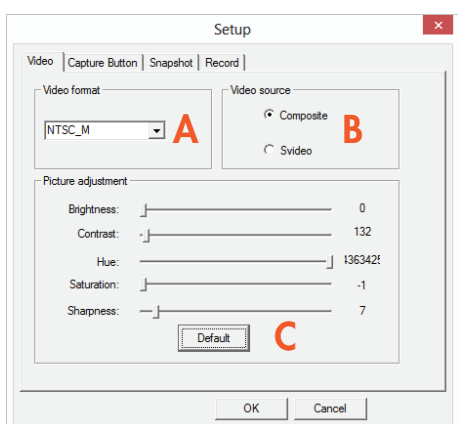


PRESS THE BUTTON CIRCLED IN ORANGE TO SET THE SETTINGS FOR RECORDING THE VIDEO.

21

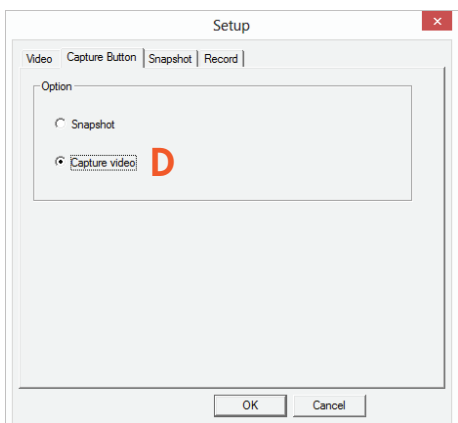
IN SETUP, UNDER THE VIDEO TAB:

- A:** CHOOSE THE NTSC_M VIDEO FORMAT.
- B:** COMPOSITE FOR VIDEO SOURCE.
- C:** IF NEEDED, CHANGE THE PICTURE ADJUSTMENT.



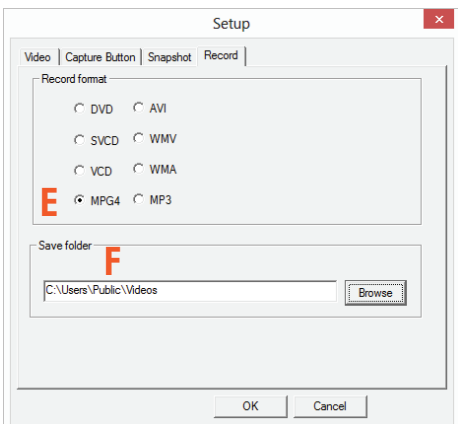
UNDER THE CAPTURE BUTTON TAB:

- D:** SELECT CAPTURE VIDEO.



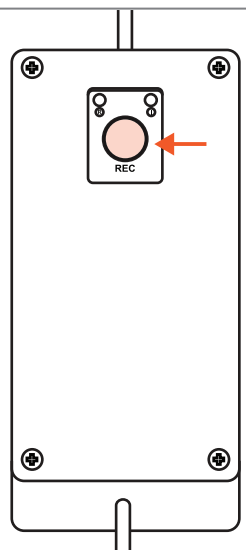
UNDER THE RECORD TAB:

- E:** WE RECOMMEND YOU CHOOSE MPG4 FOR THE VIDEO FORMAT.
- F:** CHOOSE THE SAVE FOLDER YOU WISH THE VIDEOS TO BE SAVED TO.



NOW THE SYSTEM IS READY TO USE AND TO RECORD YOUR FINDINGS IN THE DRILL HOLE.

22



TO START RECORDING THE VIDEO DISPLAYED ON THE LCD MONITOR, PRESS THE REC BUTTON AS SHOWN ABOVE. A RED LIGHT WILL FLASH WHILE RECORDING. PRESS THE REC BUTTON AGAIN TO STOP RECORDING.

23

WHEN YOU HAVE COMPLETED YOUR VIDEO, OPEN THE FOLDER WHERE YOU SPECIFIED IN STEP 21, THE DEFAULT FOLDER IS **C:\USERS\PUBLIC\VIDEOS**, THEN YOU CAN SEE THE VIDEO JUST RECORDED.