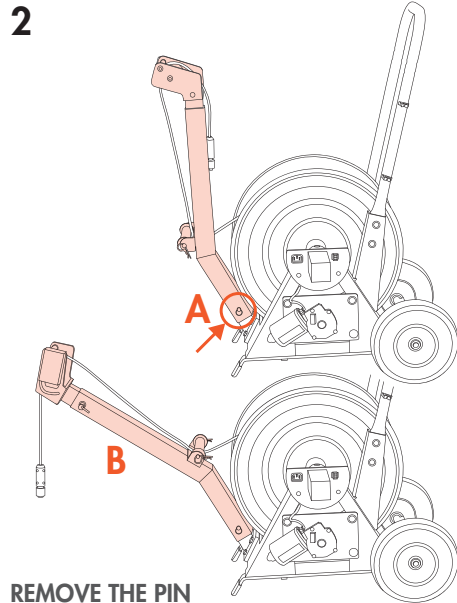
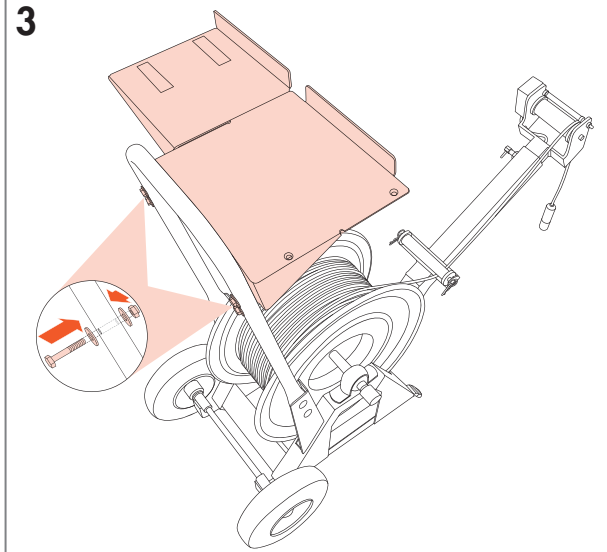


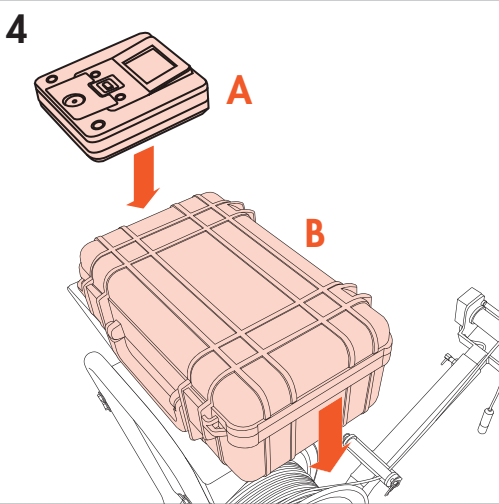
A: INSERT FUSE.
B: INSERT POWER CABLE AND RECHARGE THE BATTERY FOR 24 HOURS BEFORE USE.



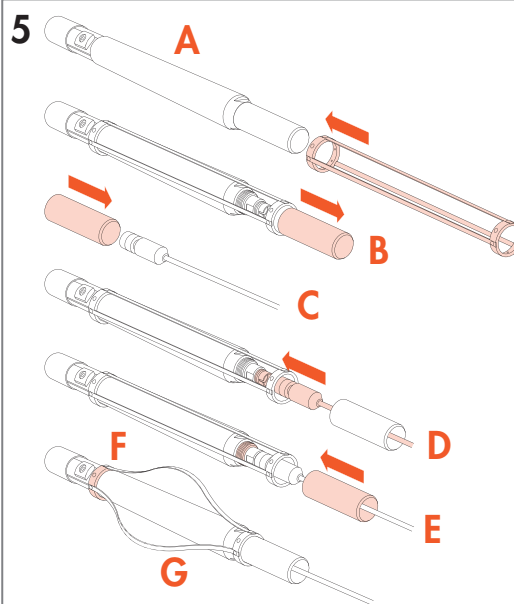
REMOVE THE PIN MARKED **A** AND ROTATE THE BOOM ARM AS SHOWN IN **B**.



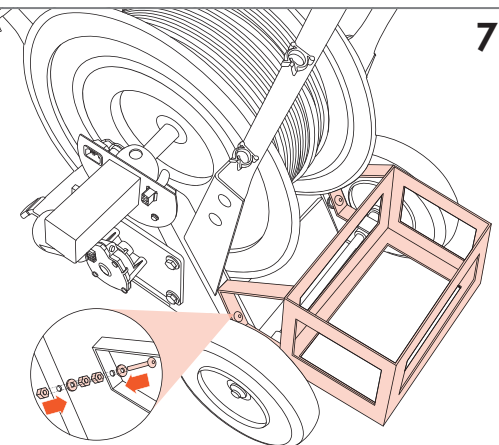
ATTACH THE MOUNTING PLATE TO THE STRATACAM™ FRAME USING THE NUTS AND BOLTS AS SHOWN.



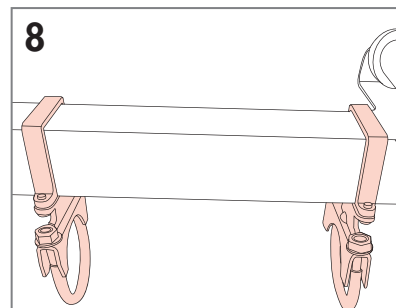
A: PLACE THE DVD RECORDER AS SHOWN.
B: PLACE THE CONTROL BOX ON TO THE MOUNTING PLATE.



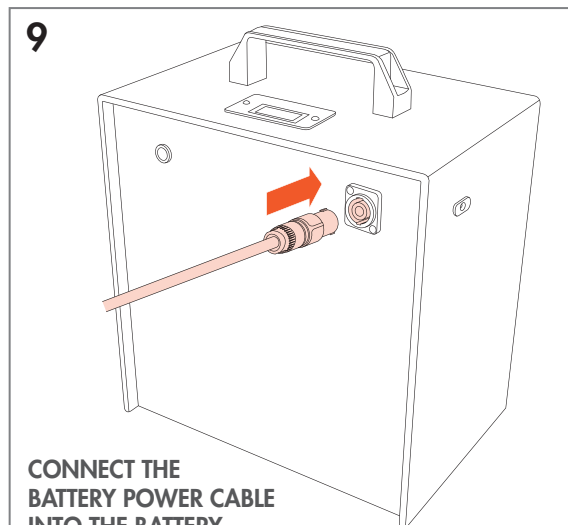
A: SLIDE THE CAMERA CENTRALIZER ON TO THE CAMERA.
B: UNSCREW THE CAMERA SHEATH.
C: LOCATE THE CONNECTION END AT THE END OF THE BOOM ARM ON THE STRATACAM™ AND PASS THROUGH THE CAMERA SHEATH.
D: CONNECT THE CONNECTION END TO THE CAMERA.
E: SLIDE THE CAMERA SHEATH DOWN TO THE CAMERA AND SCREW INTO CAMERA.
F: SCREW THE FRONT RING OF THE CAMERA CENTRALIZER TO THE CAMERA.
G: ADJUST THE CAMERA CENTRALIZER TO APPROXIMATELY HALF AN INCH LESS THAN THE DIAMETER OF THE DRILL HOLE TO BE INSPECTED. SCREW THE CAMERA CENTRALIZER INTO POSITION.



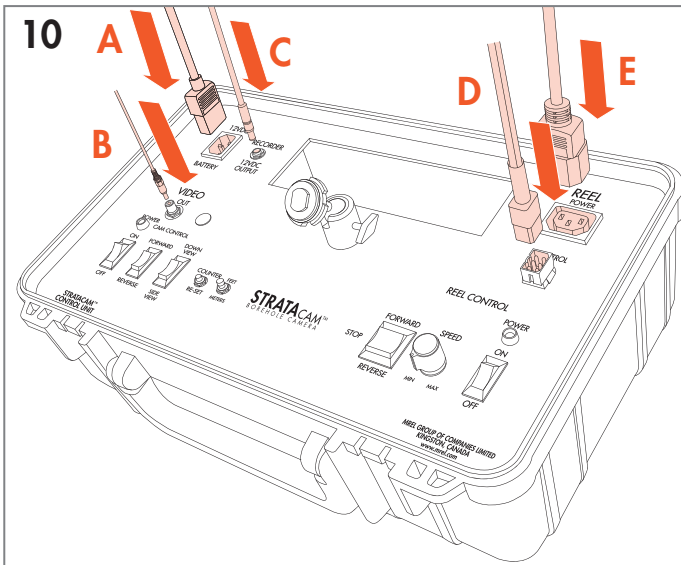
MOUNT THE BATTERY MOUNT ON TO THE STRATACAM™ FRAME AND PLACE THE BATTERY INSIDE.



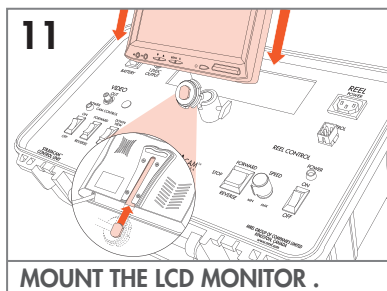
MOUNT THE CAMERA HANGERS TO THE STRATACAM™ BOOM ARM.



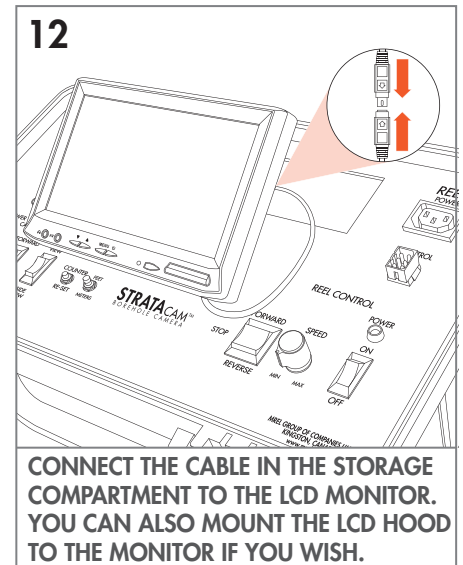
CONNECT THE BATTERY POWER CABLE INTO THE BATTERY.



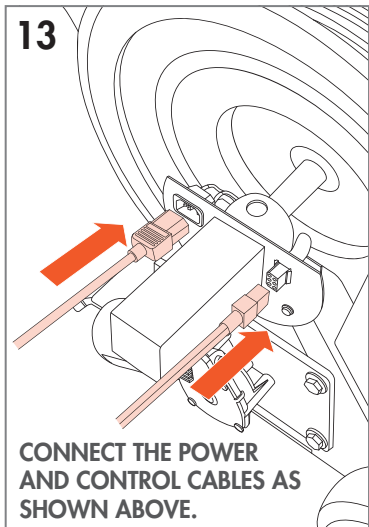
A: CONNECT THE POWER CABLE FROM THE BATTERY INTO THE CONTROL BOX.
B: CONNECT THE VIDEO OUT CABLE.
C: CONNECT THE RECORDER POWER CABLE.
D: CONNECT THE REEL CONTROL CABLE.
E: CONNECT REEL POWER CABLE.



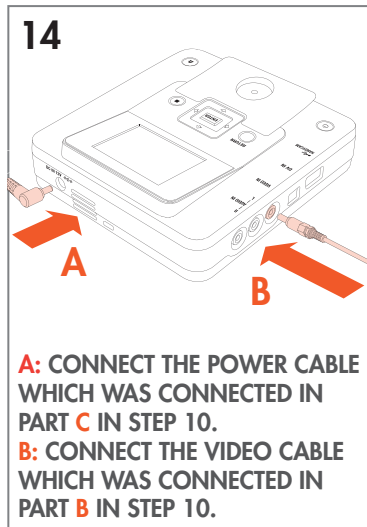
11
 MOUNT THE LCD MONITOR .



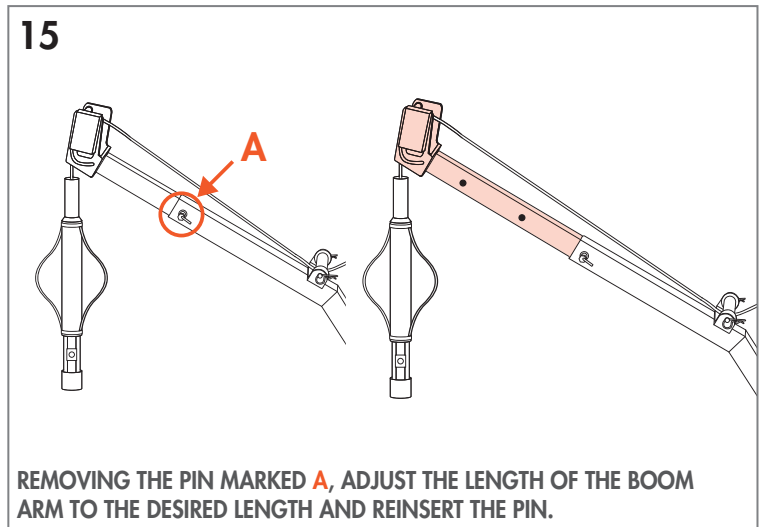
12
 CONNECT THE CABLE IN THE STORAGE COMPARTMENT TO THE LCD MONITOR. YOU CAN ALSO MOUNT THE LCD HOOD TO THE MONITOR IF YOU WISH.



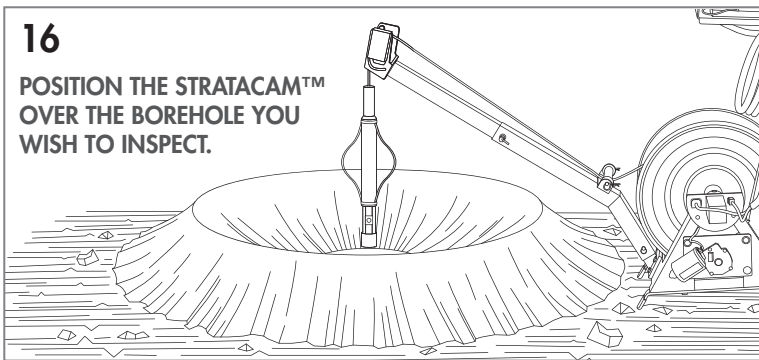
13
 CONNECT THE POWER AND CONTROL CABLES AS SHOWN ABOVE.



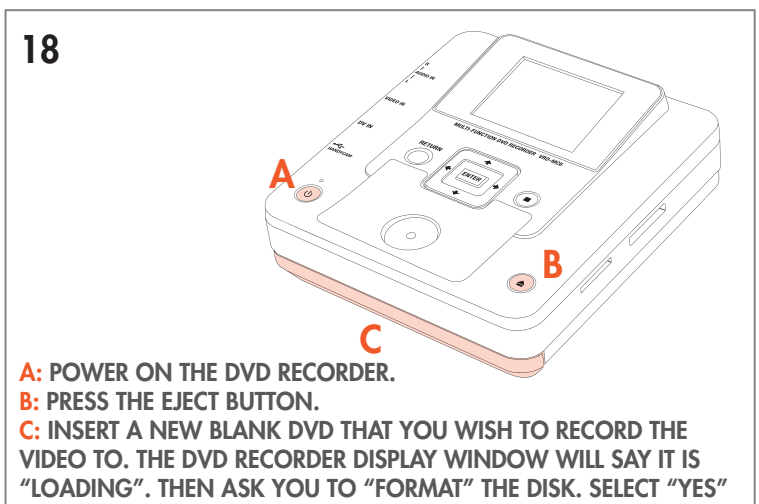
14
A: CONNECT THE POWER CABLE WHICH WAS CONNECTED IN PART C IN STEP 10.
B: CONNECT THE VIDEO CABLE WHICH WAS CONNECTED IN PART B IN STEP 10.



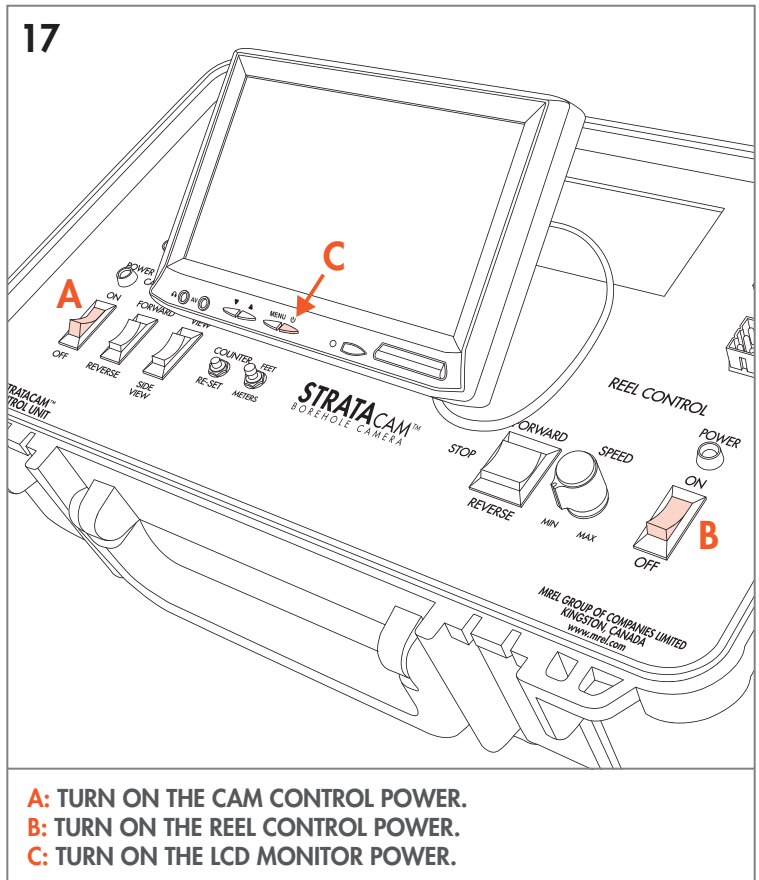
15
 REMOVING THE PIN MARKED A, ADJUST THE LENGTH OF THE BOOM ARM TO THE DESIRED LENGTH AND REINSERT THE PIN.



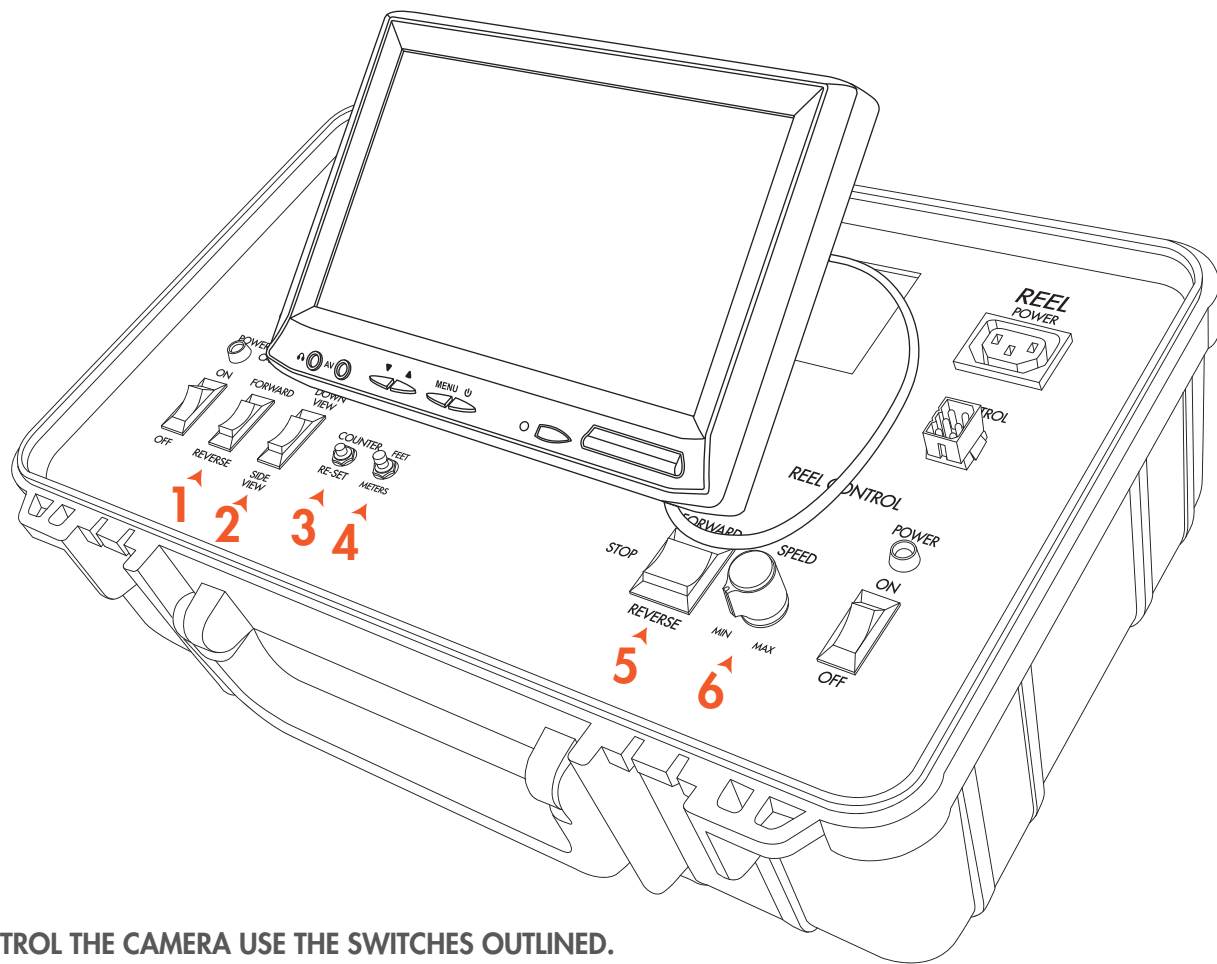
16
 POSITION THE STRATACAM™ OVER THE BOREHOLE YOU WISH TO INSPECT.



18
A: POWER ON THE DVD RECORDER.
B: PRESS THE EJECT BUTTON.
C: INSERT A NEW BLANK DVD THAT YOU WISH TO RECORD THE VIDEO TO. THE DVD RECORDER DISPLAY WINDOW WILL SAY IT IS "LOADING". THEN ASK YOU TO "FORMAT" THE DISK. SELECT "YES"



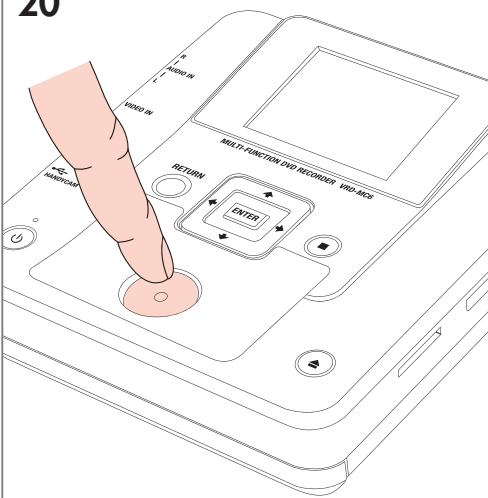
17
A: TURN ON THE CAM CONTROL POWER.
B: TURN ON THE REEL CONTROL POWER.
C: TURN ON THE LCD MONITOR POWER.



TO CONTROL THE CAMERA USE THE SWITCHES OUTLINED.

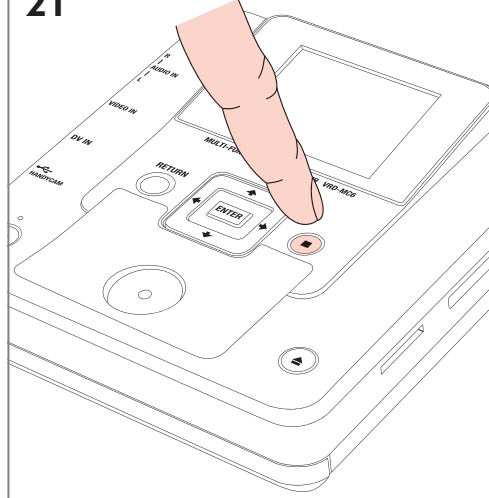
- 1:** CAMERA ROTATION. THIS SWITCH ROTATES THE CAMERA HEAD.
- 2:** CAMERA VIEW SELECTOR. THIS SWITCH SWITCHES BETWEEN THE BOTTOM VIEW CAMERA AND SIDE VIEW CAMERA.
- 3:** COUNTER RESET. THIS BUTTON RESETS THE DEPTH COUNTER SHOWN ON THE LCD MONITOR.
- 4:** FEET AND METERS SWITCH. THIS SWITCH CHANGES THE DEPTH COUNTER BETWEEN FEET AND METERS.
- 5:** REEL ASSEMBLY MOTOR DRIVE. THIS TOGGLE SWITCH MOVES THE CAMERA UP AND DOWN.
- 6:** SPEED DIAL. THIS DIAL CHANGES THE SPEED AT WHICH THE CAMERA WILL MOVE WHEN YOU PRESS **5**.

20



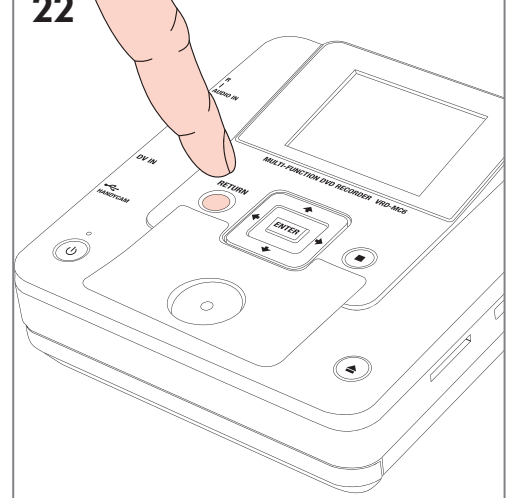
WHEN READY TO RECORD VIDEO, PRESS THE RECORD BUTTON TO START. IF YOU WISH TO PAUSE THE RECORDING, PRESS THE RECORD BUTTON AGAIN.

21



WHEN YOU HAVE COMPLETED RECORDING WHAT YOU NEED, PRESS THE STOP BUTTON.

22



TO FINALIZE THE DVD, PRESS THE RETURN BUTTON. THE DISPLAY WINDOW WILL LIST THE MENU OPTIONS. SCROLL DOWN TO SETUP AND PRESS THE ENTER. THEN SCROLL DOWN TO FINALIZE DISC. THEN CONFIRM BY SELECTING YES AND PRESS THE ENTER BUTTON AGAIN TO FINALIZE THE DISC.