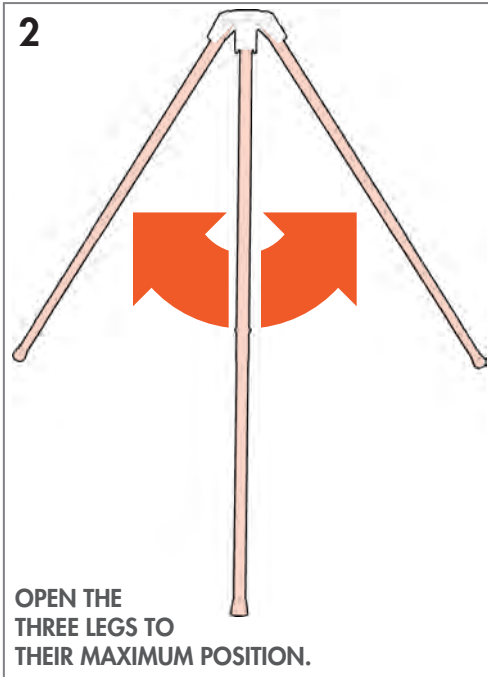
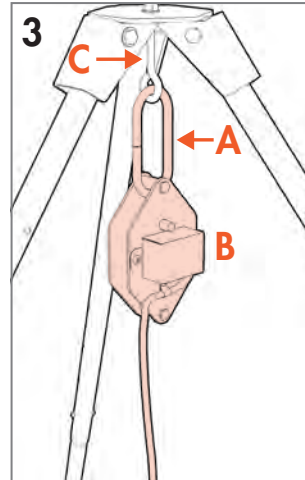


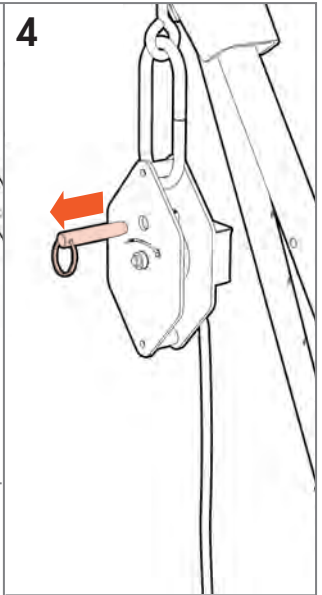
1
PUSH IN THE PIN ON EACH LEG AND EXTEND THEM DOWN FULLY UNTIL THE PINS POP OUT.



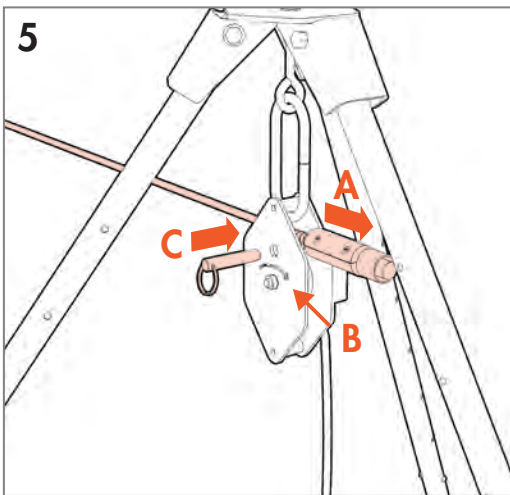
2
OPEN THE THREE LEGS TO THEIR MAXIMUM POSITION.



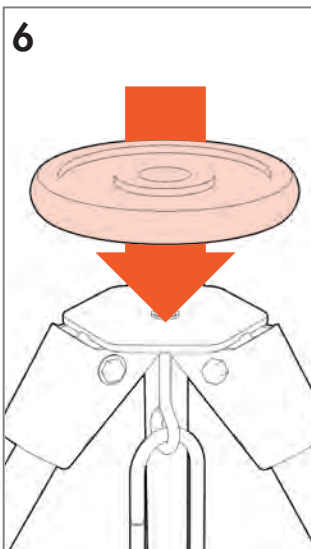
3
OPEN UP THE CARABINER (A) ON THE ENCODER (B) AND ATTACH THE ENCODER TO THE HANGING BOLT (C) UNDERNEATH THE TRIPOD.



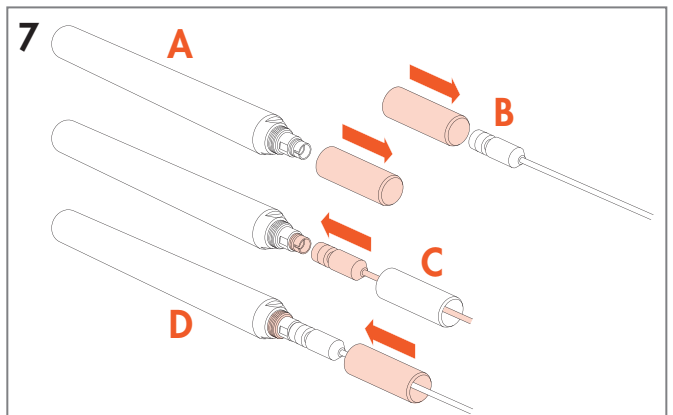
4
REMOVE THE LOCKING PIN FROM THE ENCODER.



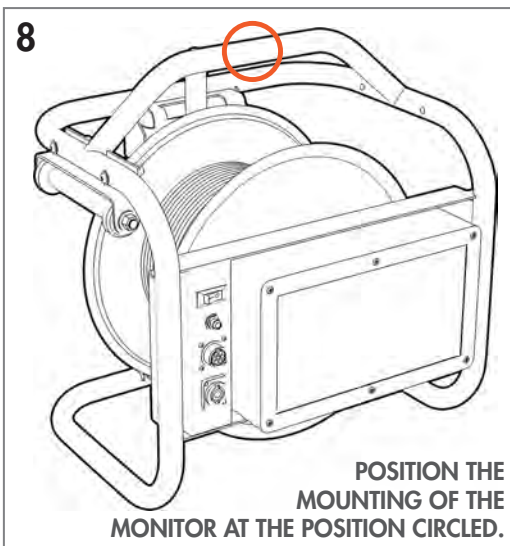
5
A: PASS THE CONNECTION END FROM THE STRATACAM MINI THROUGH THE ENCODER IN THE DIRECTION SHOWN (B).
C: REINSERT THE LOCKING PIN.



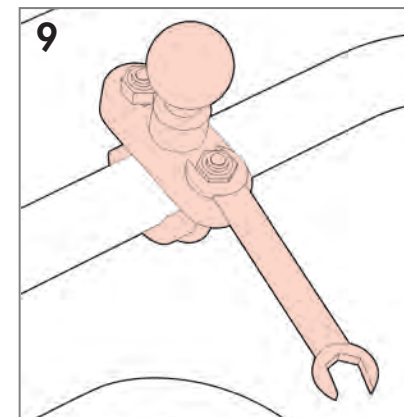
6
ADD THE OPTIONAL WEIGHT ON TOP OF TRIPOD.



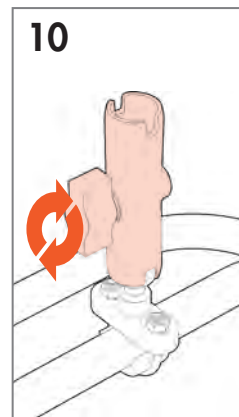
7
A: UNSCREW THE CAMERA SHEATH.
B: LOCATE THE CONNECTION END AT THE END OF THE BOOM ARM ON THE STRATACAM MINI™ AND PASS THROUGH THE CAMERA SHEATH.
C: CONNECT THE CONNECTION END TO THE CAMERA.
D: SLIDE THE CAMERA SHEATH DOWN TO THE CAMERA AND SCREW INTO CAMERA.



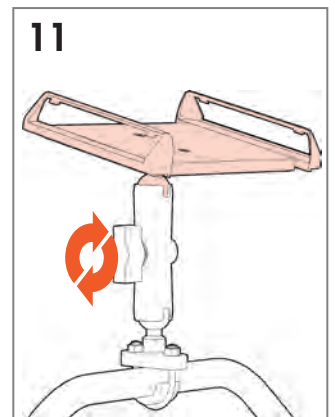
8
POSITION THE MOUNTING OF THE MONITOR AT THE POSITION CIRCLED.



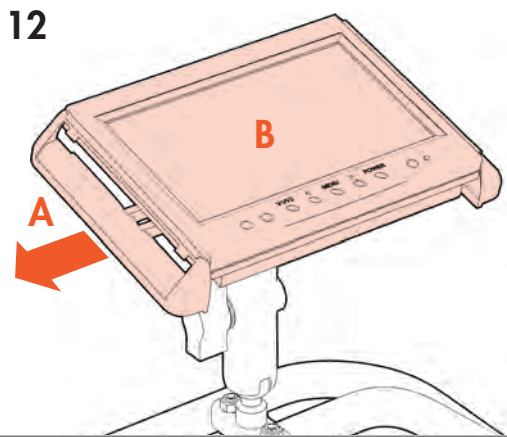
9
MOUNT THE BOTTOM MOUNTING BRACKET AND TIGHTEN AS SHOWN. BE SURE TO NOT OVER TIGHTEN AS THIS COULD CAUSE DAMAGE.



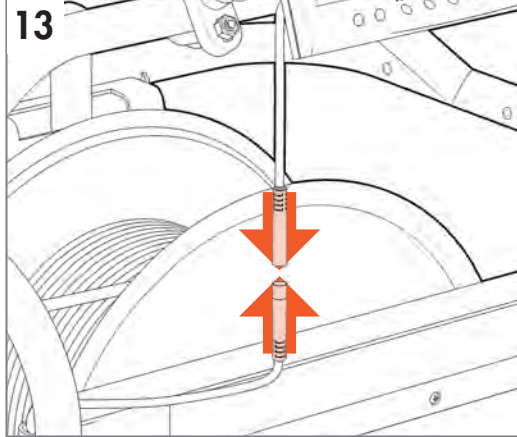
10
ATTACH THE MOUNTING ARM AS SHOWN, ROTATING THE MARKED KNOB.



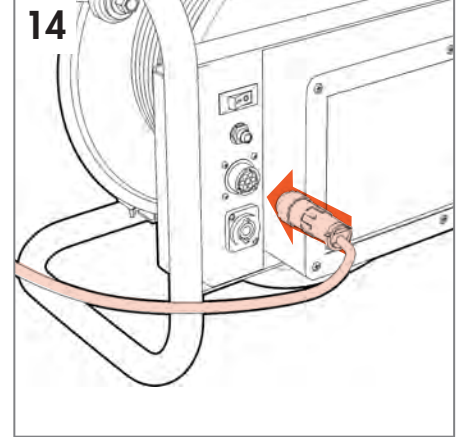
11
ATTACH THE MONITOR MOUNT AS SHOWN, ROTATING THE MARKED KNOB ONCE AGAIN.



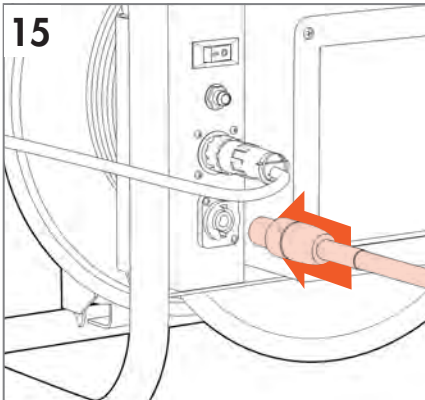
SLIDE OUT THE COMPONENT MARKED **A**. PLACE THE MONITOR (**B**) AS SHOWN. BE SURE THE MONITOR IS SECURE IN THE BRACKET.



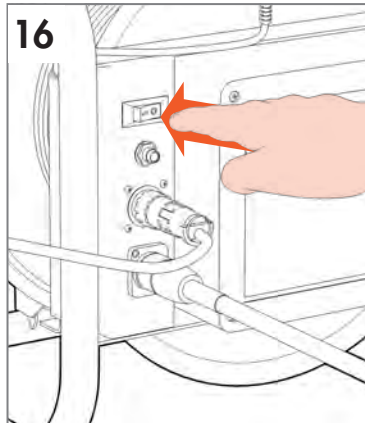
CONNECT THE VIDEO WIRE FROM THE MONITOR TO THE VIDEO WIRE FROM CONTROL BOX.



CONNECT THE ENCODER CABLE FROM THE ENCODER ATTACHED TO THE TRIPOD TO CONTROL BOX.



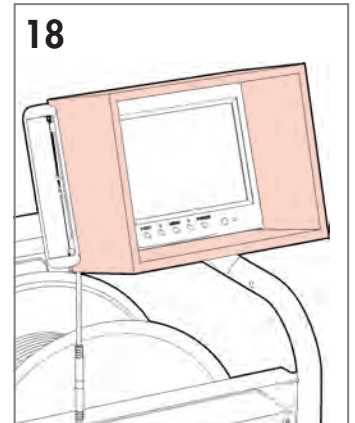
CONNECT THE POWER CABLE FROM THE MINI BATTERY (OPTIONAL) OR FROM THE PROVIDED POWER CABLE TO THE CONTROL BOX



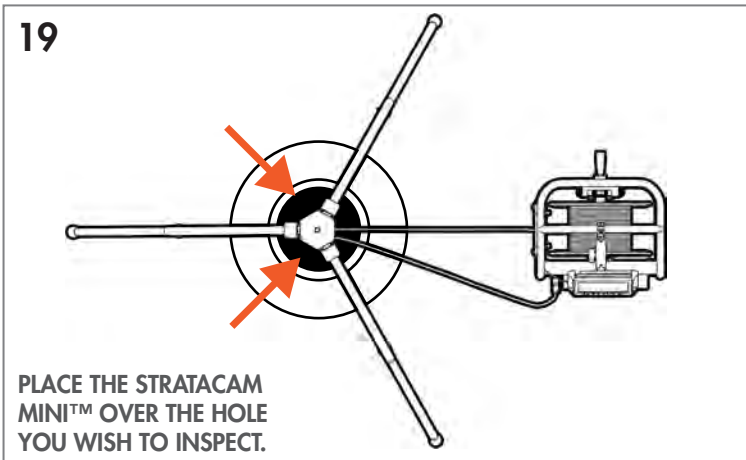
TURN ON THE STRATACAM MINI™ BY PRESSING THE POWER BUTTON.



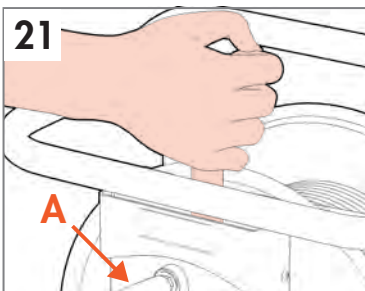
TURN ON THE MONITOR BY PRESSING THE MONITOR POWER BUTTON.



OPTIONAL: PLACE THE MONITOR HOOD ON THE MONITOR.



PLACE THE STRATACAM MINI™ OVER THE HOLE YOU WISH TO INSPECT.



TO LOWER THE CAMERA INTO THE HOLE, HOLD THE REEL HANDLE (**A**) AND THEN RELEASE THE BRAKE.



ROTATE THE REEL HANDLE SLOWLY TO LOWER THE CAMERA DOWN THE HOLE.

20 THE COMPLETE STRATACAM MINI™ OVER A BORE HOLE.

